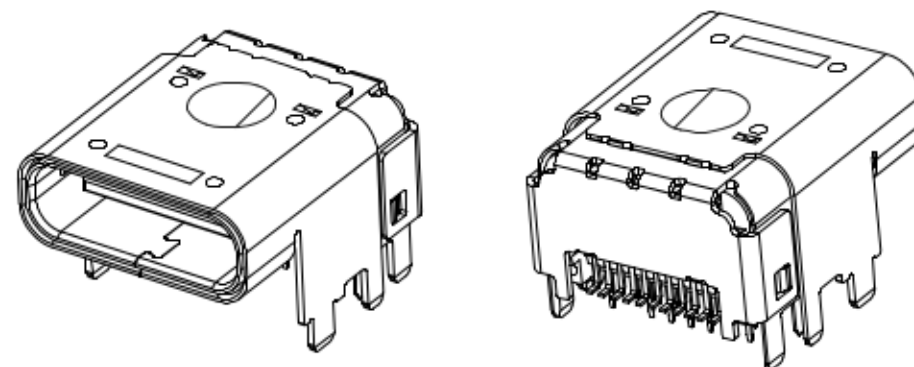
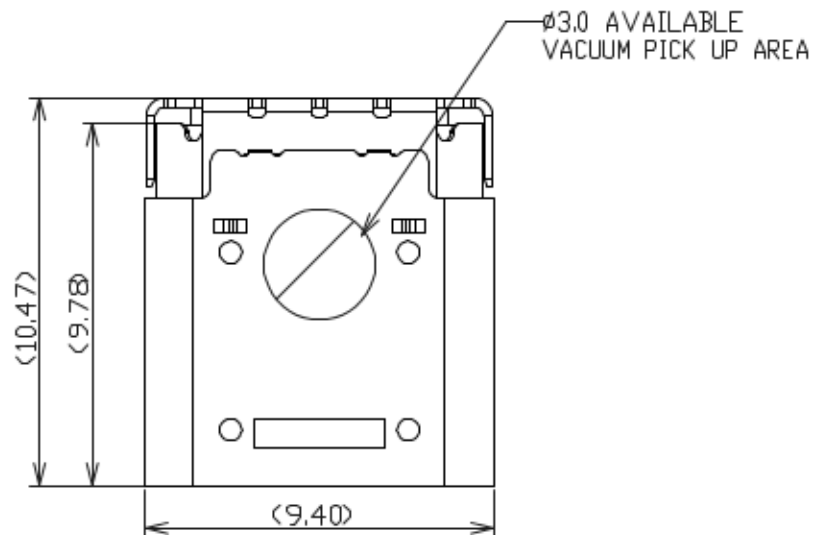


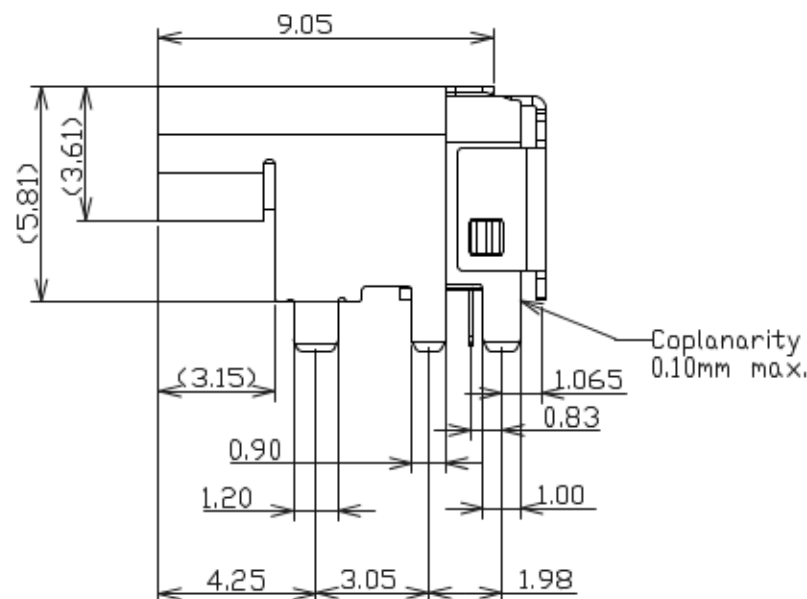
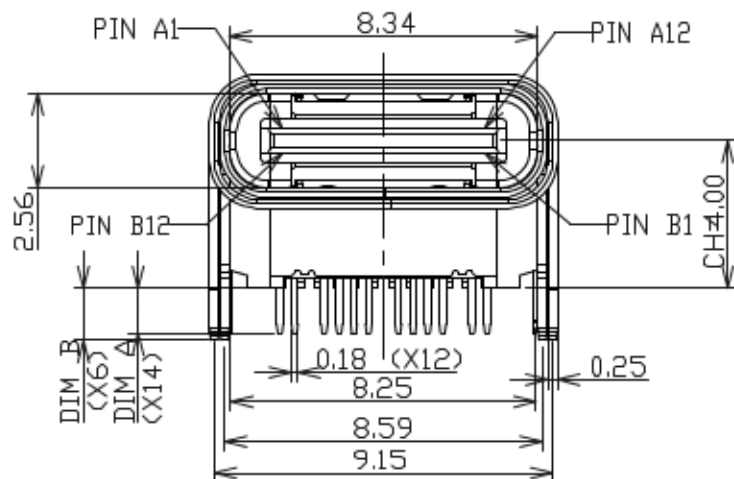
HALOGEN FREE

REV.	EC#	DESCRIPTION	DATE	DRAWN	CHECKED	APPROVED
X1	SZECR14457-04	NEW RELEASE	09/18/15'	Alr.Chen	Alan.Tsal	

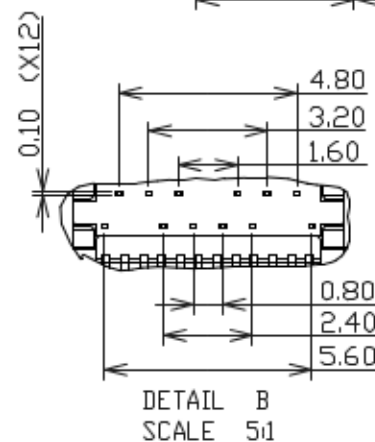
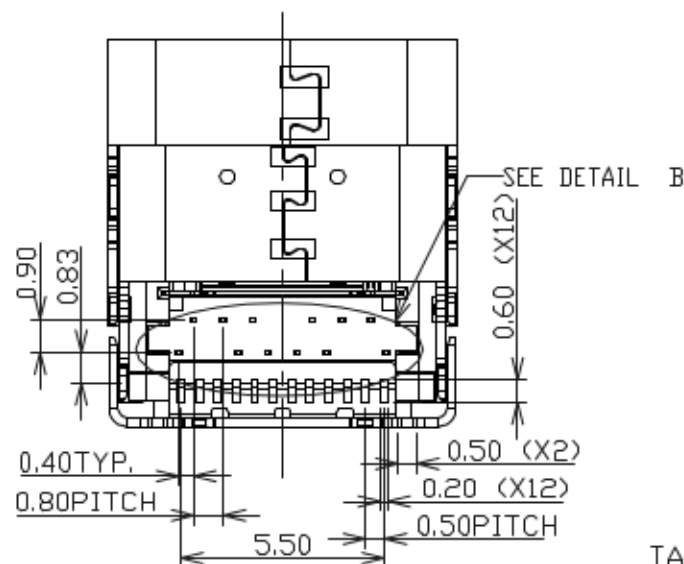


PRODUCT NUMBERING CODE
 C-ARA1 - A K X X X
 ① ② ③ ④ ⑤ ⑥

- CONNECTOR TYPE:
ARA1: USB TYPE-C FULL FEATURE CONN. RECEPTACLE - TOP MOUNT TYPE
- NO. OF POSITION:
A: 24 POSITIONS.
- COLOR OF INSULATOR:
K: BLACK.
- PLATING OF CONTACT:
1: GOLD FLASH ON CONTACT AREA.
5: Au 30u" PLATING ON CONTACT AREA
- PLATING OF FRONT SHELL
1: SOLDERING NICKEL
- OTHER & PACKAGE
0: SHELL HOLD DOWN 1.4mm & CONTACT 1.2mm
1: SHELL HOLD DOWN 1.8mm & CONTACT 1.6mm
2: SHELL HOLD DOWN 1.4mm & CONTACT 1.4mm



Coplanarity 0.10mm max.



DETAIL B SCALE 5:1

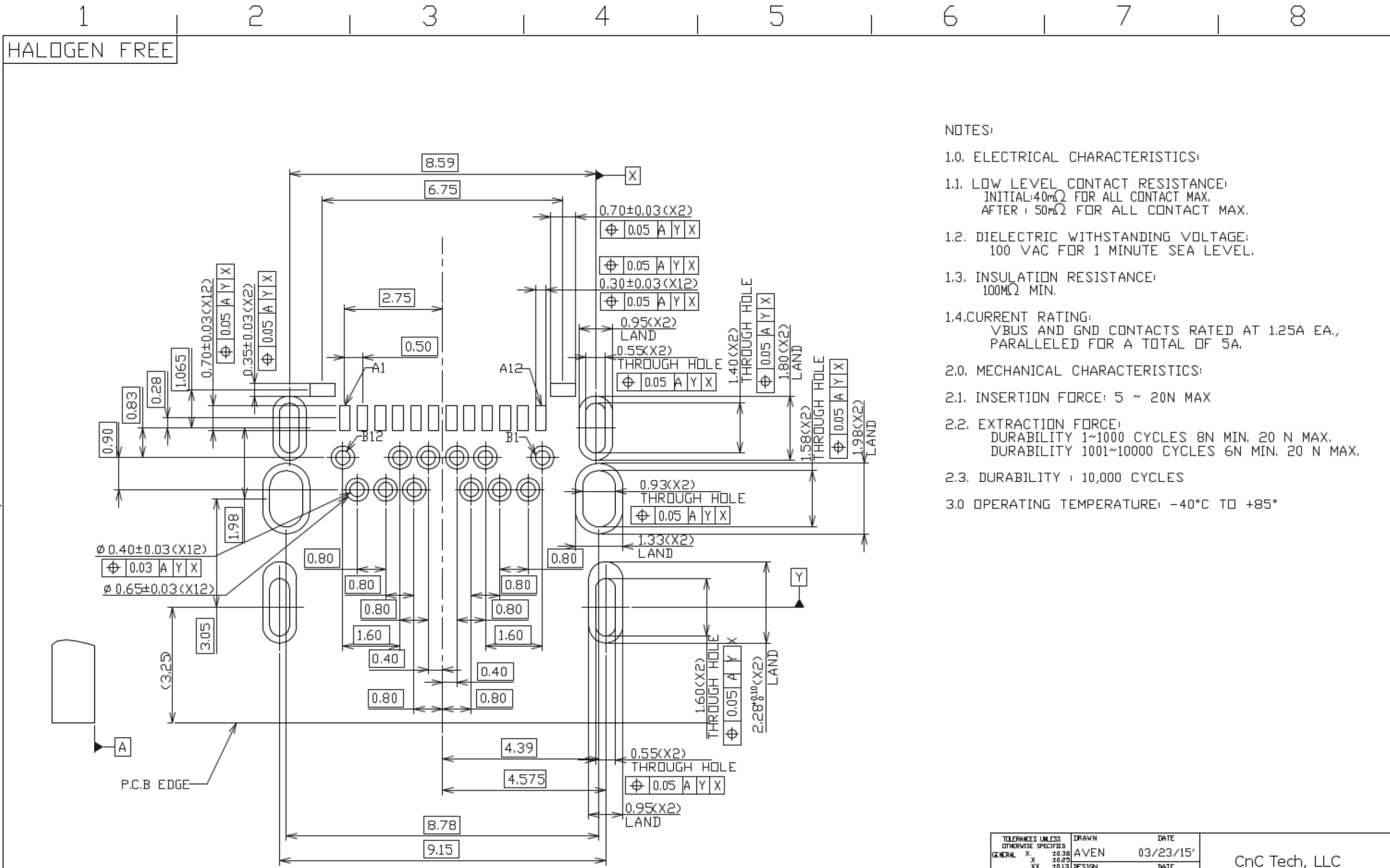
PART NUMBER	DIM A	DIM B
C-ARA1-AK510	1.20	1.40
C-ARA1-AK511	1.60	1.80
C-ARA1-AK512	1.40	1.40

TABLE A:

PIN NO.	A1	A2	A3	A4	A5	A6	A7	A8	A9	A10	A11	A12
SIGNAL NAME	GND	SSTXp1	SSTXn1	VBUS	CC1	Dp1	Dn1	SBU1	VBUS	SSRXn2	SSRXp2	GND
PIN NO.	B12	B11	B10	B9	B8	B7	B6	B5	B4	B3	B2	B1
SIGNAL NAME	GND	SSRXp1	SSRXn1	VBUS	SBU2	Dn1	Dp1	CC2	VBUS	SSTXn2	SSTXp2	GND

ITEM	NAME	Q'TY	PART #	MATERIAL / FINISH
6	EMI RING	2	~	METAL / Ni PLATED
5	GROUND PLATE	1	~	METAL / NI PLATED
4	OUTER SHELL	1	~	METAL / NI PLATED
3	SHELL	1	~	METAL / NI PLATED
2	CONTACT	24	~	COPPER ALLOY / Au PLATED
1	HALF PRODUCT	3	~	HI-TEMP G.F., UL94V-0

ITEM	NAME	Q'TY	PART #	MATERIAL / FINISH
				TOLERANCES UNLESS OTHERWISE SPECIFIED
GENERAL	X	±0.25	AVEN	03/23/15'
	.X	±0.25	DESIGN	DATE
	.XX	±0.13	AVEN	03/23/15'
	.XXX	±0.08	CHECKED	DATE
ANGLES	X°	±30°	ROGER	03/23/15'
	.X°	±20°	APPROVED	DATE
	.XX°	±10°	ROGER	03/23/15'
SCALE	7:1			
SHEET	1 OF 2			
UNIT	MM			
C-ARA1-AK512				TITLE
				USB TYPE- C FULL FEATURE CONN. RECPTACLE TOP MOUNT TYPE
				SERIES
				ARA1 SERIES
				SIZE
				A3
				REV.
				X1



RECOMMENDED PCB LAYOUT
 THICKNESS IS 1.0mm
 TOLERANCE ± 0.05

- NOTES:
- 1.0. ELECTRICAL CHARACTERISTICS:
 - 1.1. LOW LEVEL CONTACT RESISTANCE: INITIAL:40mΩ FOR ALL CONTACT MAX. AFTER : 50mΩ FOR ALL CONTACT MAX.
 - 1.2. DIELECTRIC WITHSTANDING VOLTAGE: 100 VAC FOR 1 MINUTE SEA LEVEL.
 - 1.3. INSULATION RESISTANCE: 100MΩ MIN.
 - 1.4. CURRENT RATING: VBUS AND GND CONTACTS RATED AT 1.25A EA., PARALLELED FOR A TOTAL OF 5A.
 - 2.0. MECHANICAL CHARACTERISTICS:
 - 2.1. INSERTION FORCE: 5 ~ 20N MAX
 - 2.2. EXTRACTION FORCE: DURABILITY 1~1000 CYCLES 8N MIN. 20 N MAX. DURABILITY 1001~10000 CYCLES 6N MIN. 20 N MAX.
 - 2.3. DURABILITY : 10,000 CYCLES
 - 3.0 OPERATING TEMPERATURE: -40°C TO +85°

TOLERANCES UNLESS OTHERWISE SPECIFIED		DRAWN	DATE	CnC Tech, LLC
GENERAL	X ±0.38 X ±0.25 XX ±0.13 XXX ±0.05	AVEN	03/23/15'	
ANGLES		CHECKED	DATE	TITLE
X°	±30°	ROGER	03/23/15'	USB TYPE- C FULL FEATURE CONN. RECEPTACLE - TOP MOUNT TYPE
X°	±20°	APPROVED	DATE	SERIES
XX°	±10°	ROGER	03/23/15'	NARA1 SERIES
SCALE	7:1	UNIT	MM	SIZE
SHEET	2 OF 2	C-ARA1-AK512		A3
DWG. NO. C-NARA1-00-03				REV. X1