



EOL3-277-20KA

Patent-pending 3-Pole In-Line Fused Surge Protector for LED Drivers with End-of-Life LED Indicator

Features

- This 4-leaded device protects Line-Ground, Line-Neutral, and Neutral-Ground in accordance with IEEE / ANSI C62.41.2 guidelines
- Provides additional protection at End-of-Life by opening voltage to the fixture and turning off the fixture
- LED indicator will light when the EOL3 has reached End-of-Life. This provides positive indication that the EOL3 needs to be replaced.
- Indicator flashes at “power-up” to provide confirmation that LED is functional.
- Two models:
 - EOL3-277-20KA-L includes a local LED indicator (blue)
 - EOL3-277-20KA-R is designed to operate a remotely-mounted LED indicator (*Purchased separately.*)
- Protects against surges and transients per ANSI C62.41-2002 category C high (10KV, 1.2/50µs & 10KA, 8/20µs) standard Combo waves and (6KV, 100KHz) Ring wave
- Protects against surges and transients per new ANSI C82.77-5 2015 category C high (20KV, 1.2/50µs & 10KA, 8/20µs) standard Combo waves and (6KV, 100KHz) Ring wave
- 7.0 Amp maximum load
- UL Recognized Component in the United States and Canada (UL1449)
- Complies with IEC 61643-11; 8.3.4.3
- High temp, flameproof plastic enclosure; 85°C max surface temp rating
- Remote-mount LED indicator assembly requires a 0.25” mounting hole
- Patent Pending
- 277V Models: Protection for LED drivers capable of operating at 277V input voltage or with universal input range of 120V through 277V. Not suitable for 120V- or 240V-only devices.

EOL3-277-20KA is designed for use in conjunction with LED Drivers to provide an additional level of protection against powerline disturbances in industrial and commercial applications.



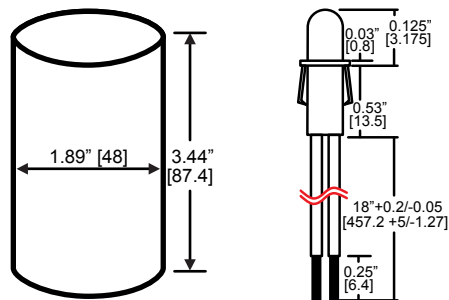
EOL3-277-20KA-L

EOL3-277-20KA-R

Part Number	Mains Voltage	Continuous Max Voltage Rating		Max Clamping Voltage 8/20 µs @ 20kA	LED	UL1449
		AC	DC			
EOL3-277-20KA-L	277V	320	420	1600	Local	•
EOL3-277-20KA-R	277V	320	420	1600	Remote	•
EOL3-LED-18-B	LED (blue) assembly with 18” leads					

Dimensions (Nom.)

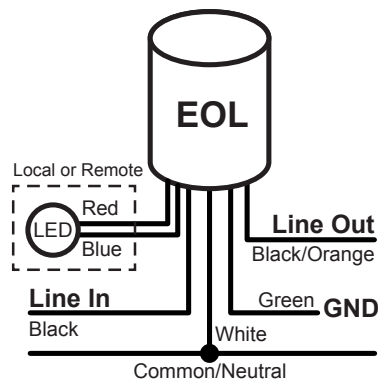
Leads: 6”, stripped 0.63” Weight: 0.6 lbs / 272g



Pulse rating (8 x 20 µSec)	
Strikes	Surge
1	20,000 A
2	15,000 A
15	10,000 A
120	3,000 A

cRUus	
I _n	10kA

Wiring



★MADE IN USA★
Of Imported And Domestic Components

Specifications subject to change without notice.



Rev 12-7-16

