

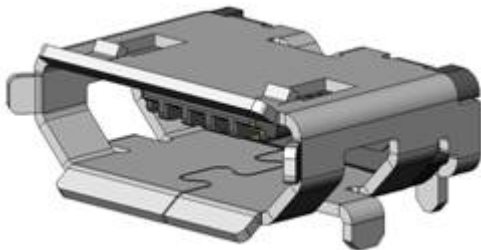
**NEW**



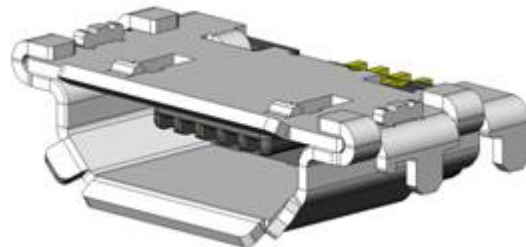
# USB 2.0 Compatible Micro Connectors DX4 Series

CONNECTOR  
MB-0187-3  
December 2014

**RoHS Compliant**



On-board Type

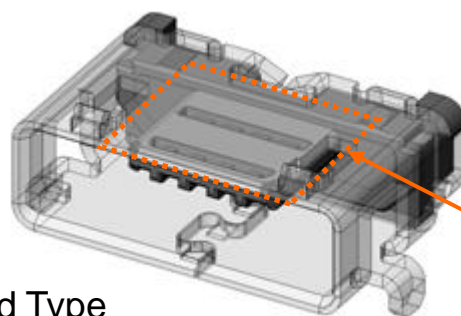


Mid-mount Type

The DX4 Series is a set of connectors compatible with the Micro-USB type USB 2.0 for small devices standardized by the USB Implementers Forum, Inc.

## Features

- Compatible with Universal Serial Bus Micro-USB Cables and Connectors Specification, Revision 1.01.
- Connector type: USB 2.0 compatible, Micro types
- Au plating over Pd-Ni alloy is used for mating cycle durability and long product life.
- Superior rigidity with high-strength stainless steel shell.
- Available in a variety of versions to suit diverse device configurations.
- Two-piece shell structure for mid-mount type to prevent contact failure due to flux scattering during reflow.
- Available in reinforced type, with reinforcement plate set in mating area to prevent damage from plug caused by misaligned mating. (Refer to drawing below)



Reinforcement plate  
of mating area

## Mating Area Reinforced Type

\*In the above drawing the shell is transparent for illustration purposes to show the reinforcement plate.

## General Specifications

- |  |  |
|--|--|
| ■ No. of Contacts: 5 positions                             | ■ Rated Current: DC1.8A (Vbus, GND)<br>Others DC0.5A |
| ■ Contact Resistance:<br>30m ohm max. (initial)            | ■ Rated Voltage: AC30Vrms                            |
| ■ Dielectric Withstanding Voltage:<br>AC500Vrms per minute | ■ Durability: 10,000 mating cycles                   |
| ■ Insulation Resistance: 1000M ohm (initial)               | ■ Operating temperature:<br>-30 Deg. C to +80 Deg. C |

## Materials and Finishes

Component	Material and Finish
Insulator	Synthetic Resin
Contact	Copper alloy / Contact area: Au flash plating over Pd-Ni alloy over Ni Terminal area: Au flash plating over Ni
Shell	Stainless Steel / Sn plating over Ni

\*For more information please refer to individual product drawings.

## Ordering Information

### DX4 R 0 05 J J 2 R1800

Series

DX4: USB2.0 Micro

R: Receptacle

Modification Code: #1

No. of Contacts: 5 pos.

Reel: 1800 pcs. / reel

Modification Code: #2

Plating Specification

J: Contact area: Au flash over Pd-Ni alloy over Ni

Board Connection Type (Shell area)

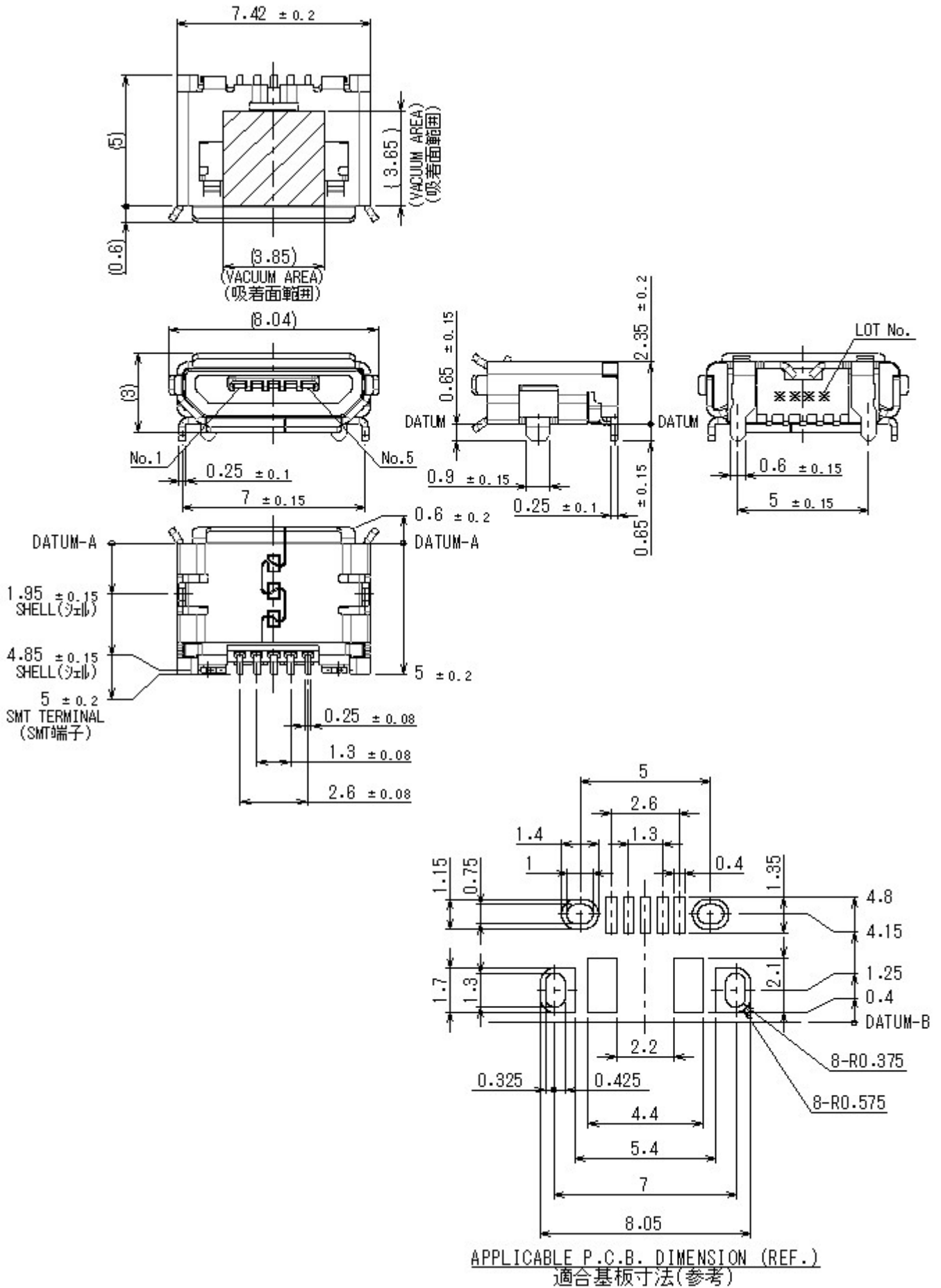
J: Through-hole type, H: Hold-down type

Micro-USB Connector Type	Part Number	SJ Drawing	Specification	Mounting Type		Mating Taper	Mating Area Reinforcement Plate
Type B	DX4R005JJ2 (Individual Unit)	SJ110578	JACS-30162	On-board		Yes	No (Standard Type)
	DX4R005JJ2R1800 (Reel Unit)	SJ110579					
	DX4R005HJ5 (Individual Unit)	SJ111770	JACS-30185		Standard	No	
	DX4R005HJ5R2000 (Reel Unit)	SJ111771					
	DX4R005JJ6 (Individual Unit)	SJ112420	JACS-30251	Mid-mount		Yes	
	DX4R005JJ6R1500 (Reel Unit)	SJ112421					
	DX4R005JJ7 (Individual Unit)	SJ112422	JACS-30252			No	
	DX4R005JJ7R1500 (Reel Unit)	SJ112423					
	DX4RN05JJ3 (Individual Unit)	SJ112800	JACS-30257			No	
	DX4RN05JJ3R2000 (Reel Unit)	SJ112801					
DX4R105JJC (Individual Unit)	SJ113218	JACS-30281		Reverse	Yes		
DX4R105JJC R1800 (Reel Unit)	SJ113219						
Type AB	DX4R205JJA (Individual Unit)	SJ112925	JACS-30267	On-board	Standard	No	Yes (Mating Area Reinforced Type)
	DX4R205JJAR1800 (Reel Unit)	SJ112926					
	DX4R305JJB (Individual Unit)	SJ112927	JACS-30268		Reverse		
	DX4R305JJBR1800 (Reel Unit)	SJ112928					
	DX4R205JJ8 (Individual Unit)	SJ112802	JACS-30258	Mid-mount	Standard	Yes	
	DX4R205JJ8R2000 (Reel Unit)	SJ112803					
DX4R205JJ9 (Individual Unit)	SJ112804	JACS-30259			No		
DX4R205JJ9R2000 (Reel Unit)	SJ112805						

Note: Please place orders in reel units.

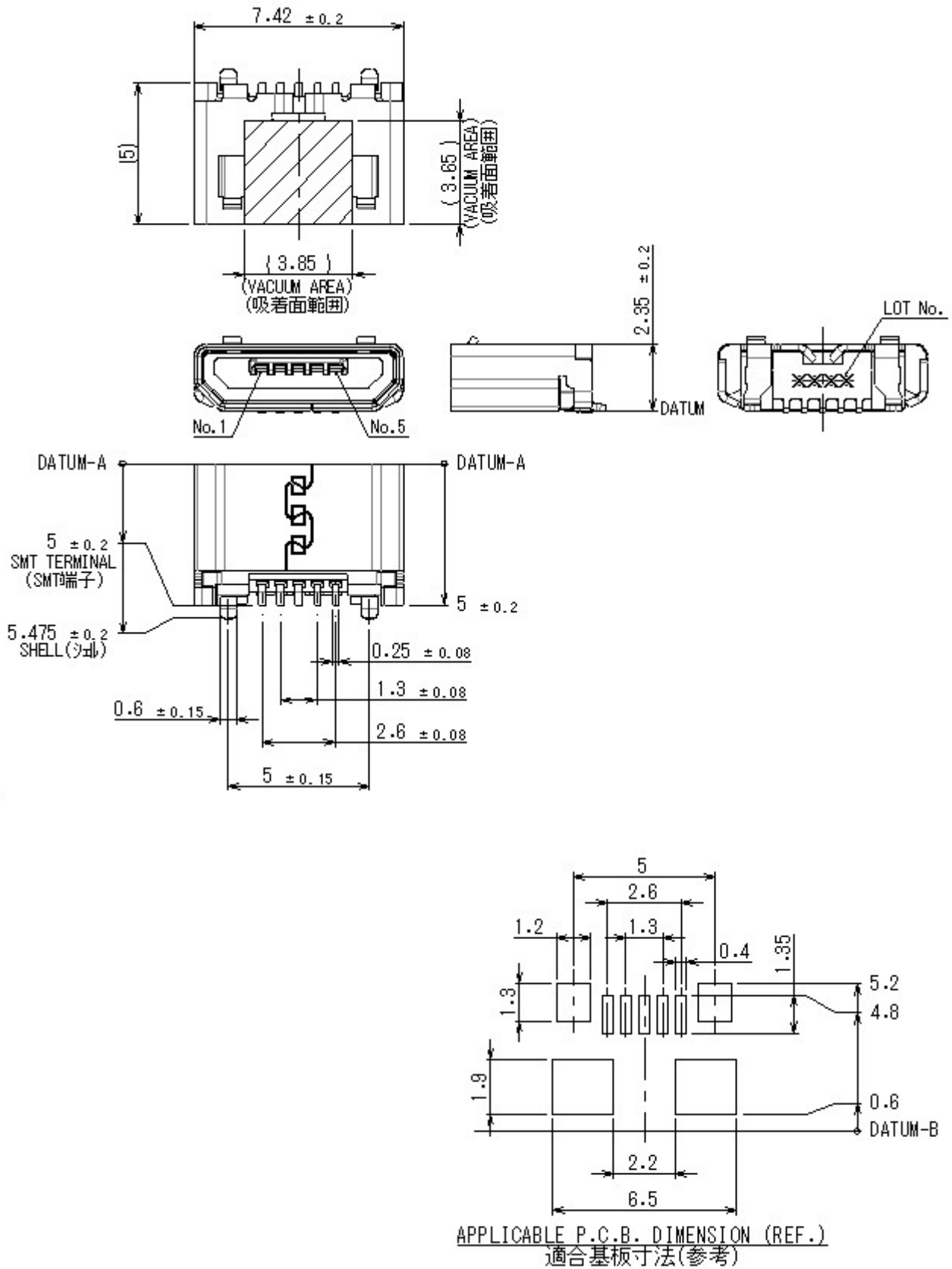
Standard Type (Micro-B): DX4R005JJ2

Unit: mm



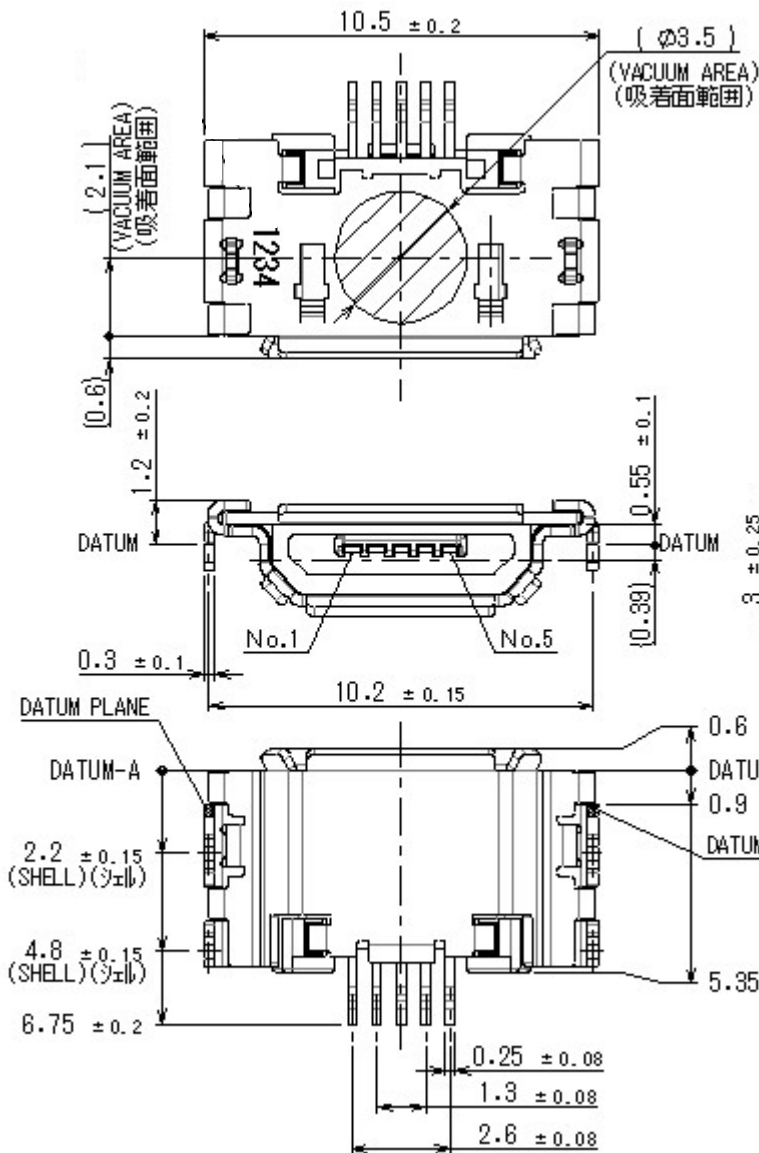
Standard Type (Micro-B): DX4R005HJ5

Unit: mm

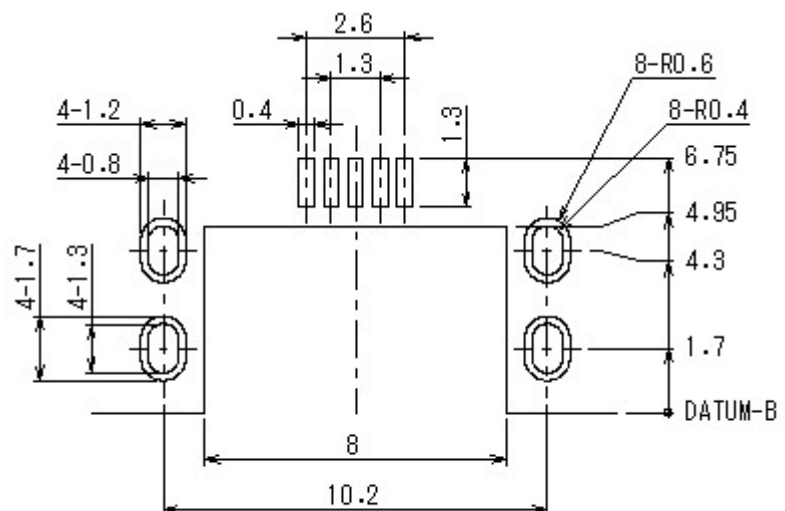
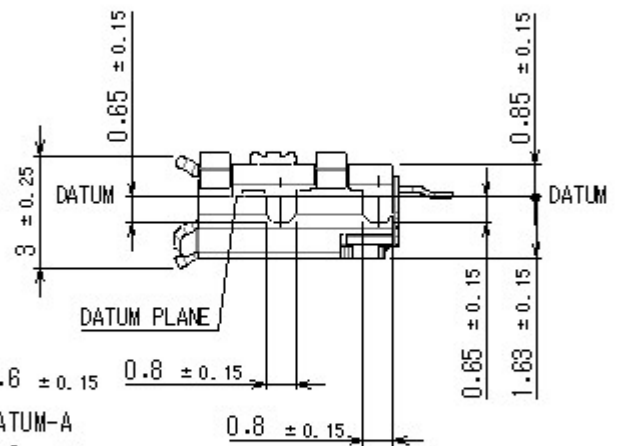
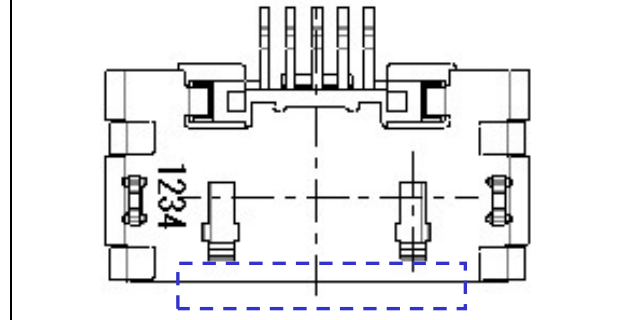


Standard Type (Micro-B): DX4R005JJ6

Unit: mm



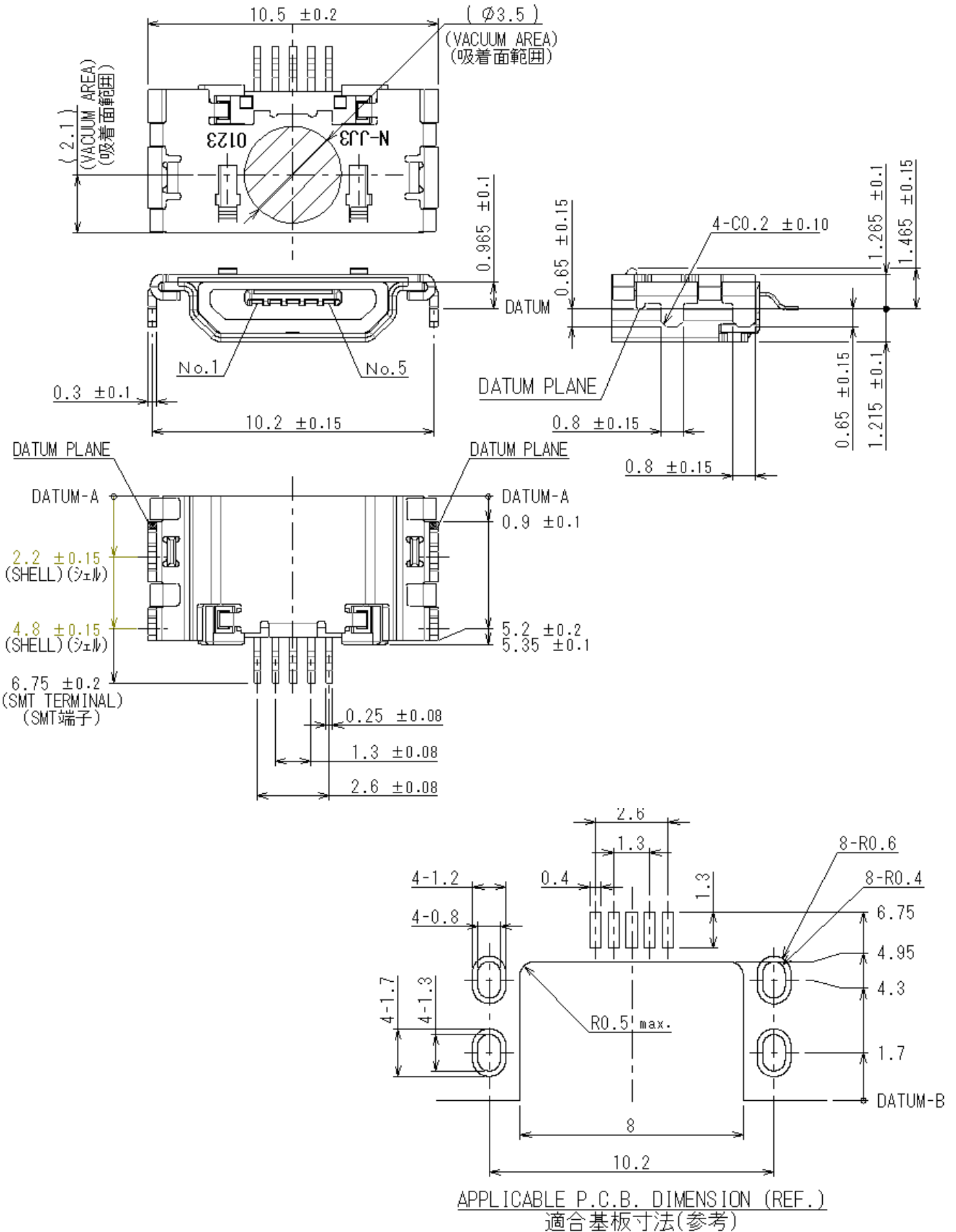
Type without mating area taper (DX4R005JJ7)  
 \*Design is same as DX4R005JJ6 except the mating area taper.



APPLICABLE P.C.B. DIMENSION (REF.)  
 適合基板寸法(参考)

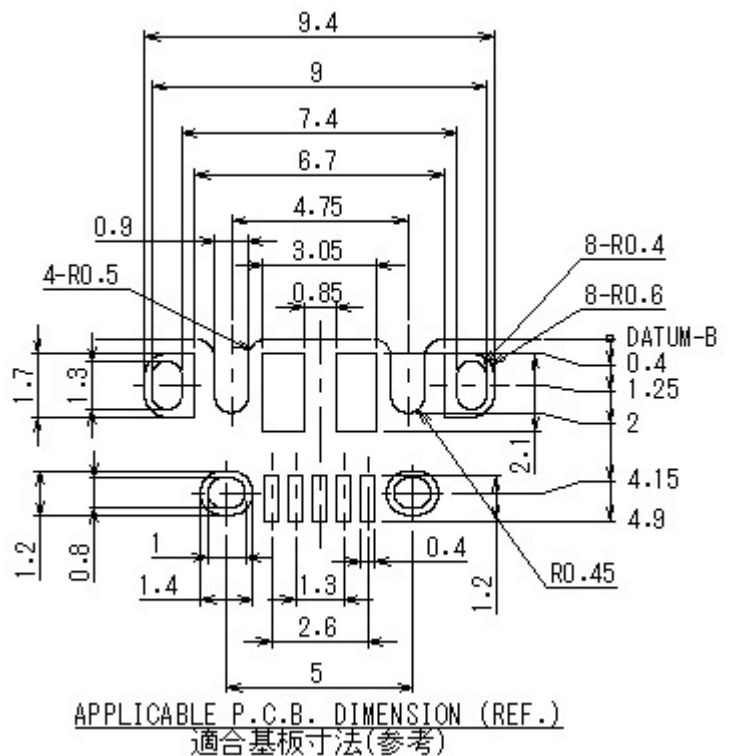
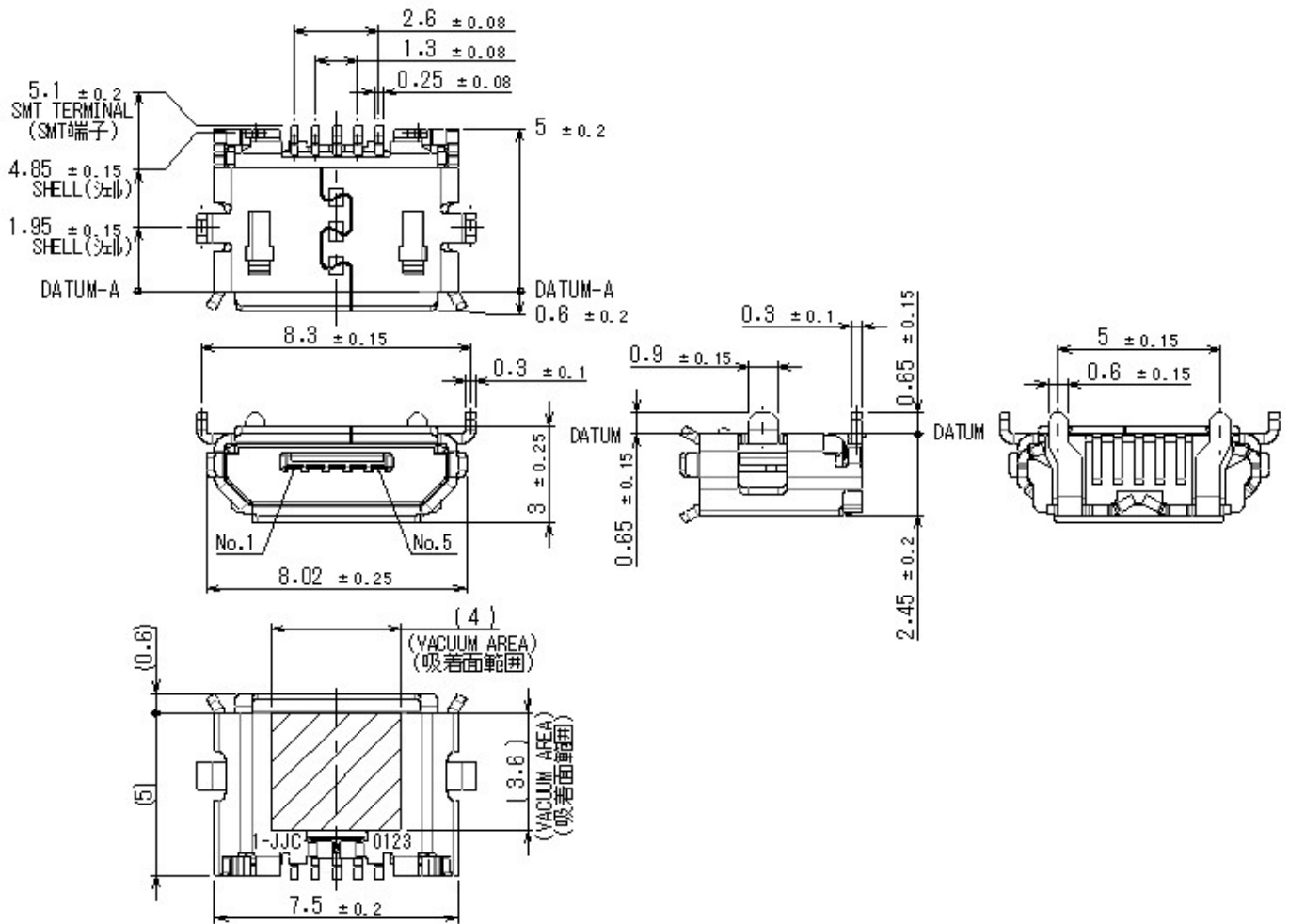
Mating Area Reinforced Type  
(Micro-B): DX4RN05JJ3

Unit: mm



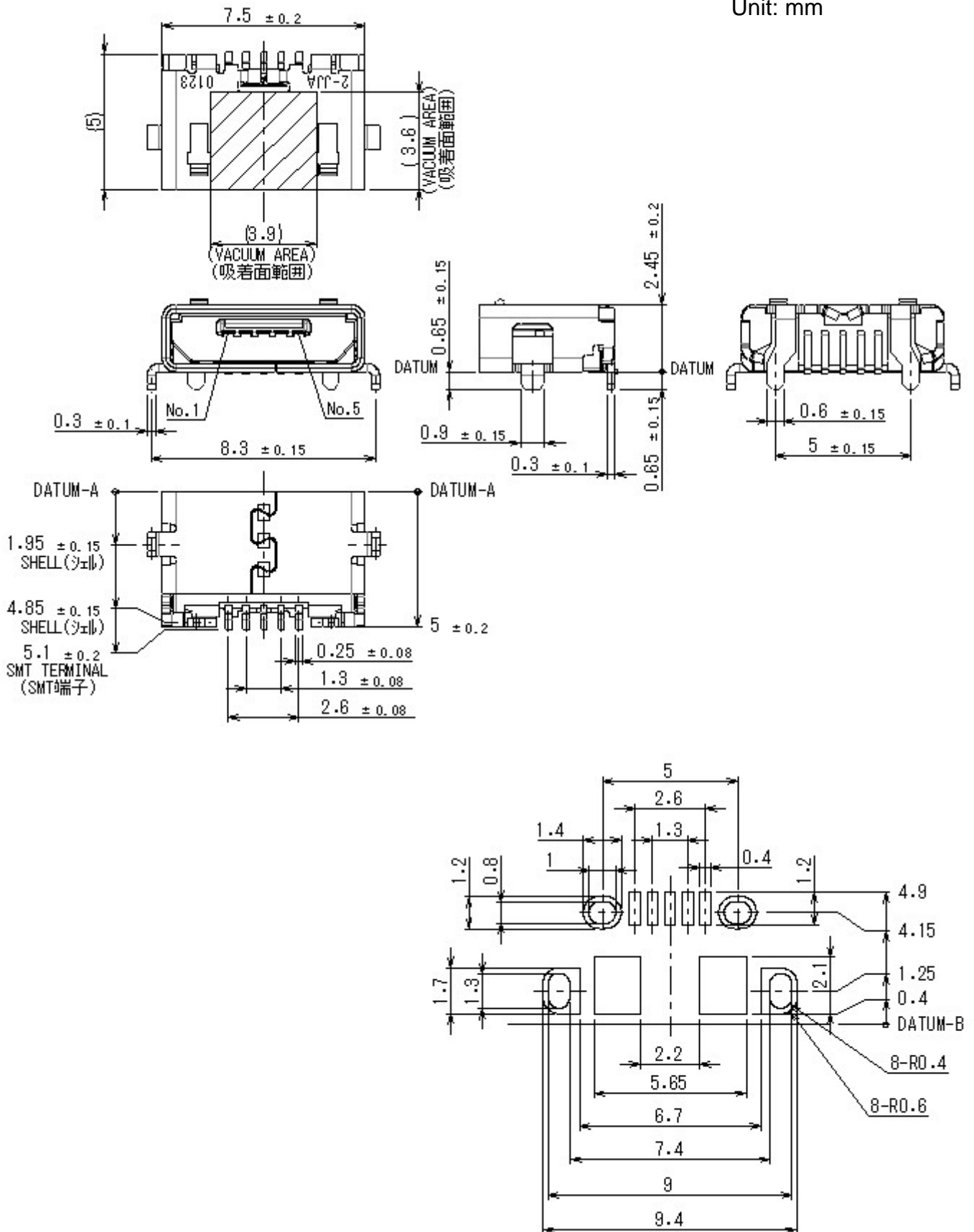
Mating Area Reinforced Type  
(Micro-B): DX4R105JJC

Unit: mm



Mating Area Reinforced Type (Micro-AB): DX4R205JJA

Unit: mm

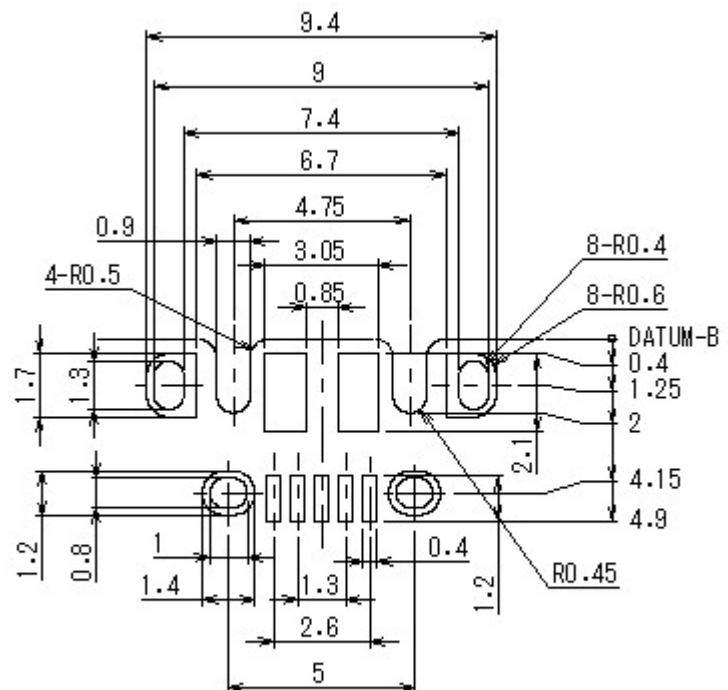
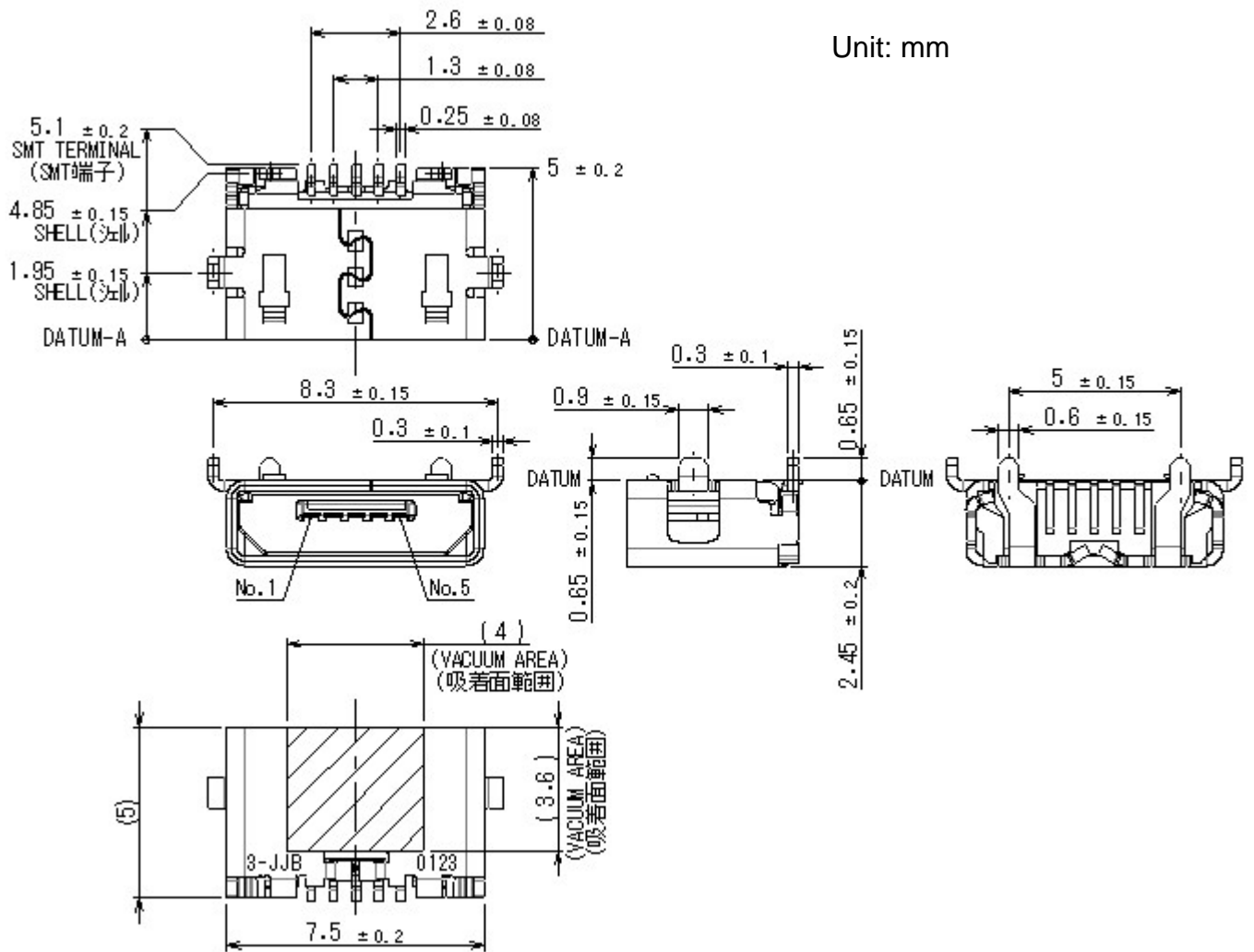


APPLICABLE P.C.B. DIMENSION (REF.)  
適合基板寸法(参考)



Mating Area Reinforced Type (Micro-AB): DX4R305JJB

Unit: mm

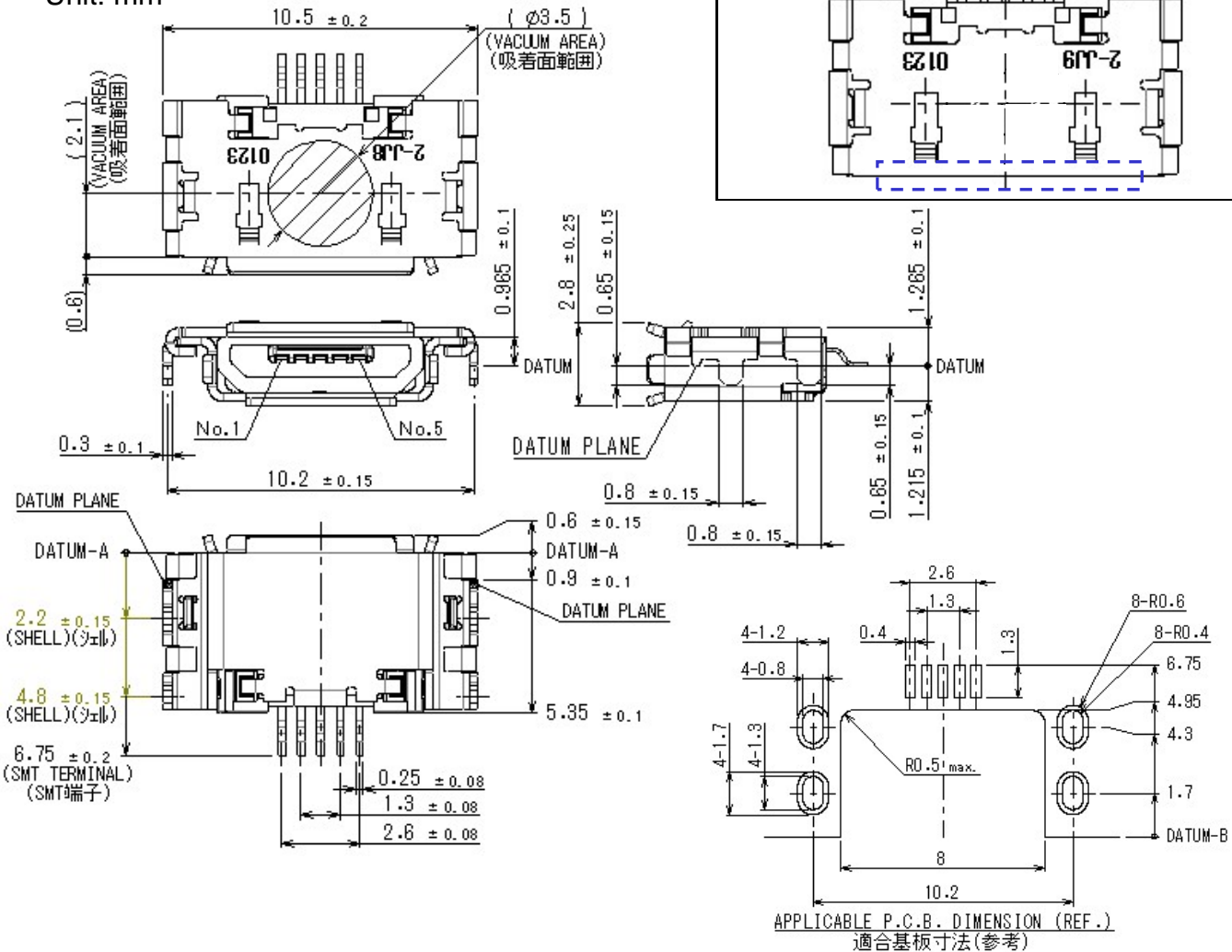


APPLICABLE P.C.B. DIMENSION (REF.)  
適合基板寸法(参考)

**Mating Area Reinforced Type  
(Micro-AB): DX4R205JJ8**

Unit: mm

Type without mating area taper (DX4R205JJ9)  
\*Design is same as DX4R205JJ8 except the mating area taper.



**Notice:**

1. The values specified in this brochure are only for reference. The products and their specifications are subject to change without notice. Contact our sales staff for further information before considering or ordering any of our products. For purchase, a product specification must be agreed upon.
2. Users are requested to provide protection circuits and redundancy circuits to ensure safety of the equipment, and sufficiently review the suitability of JAE's products to the equipment.
3. The products presented in this brochure are designed for the uses recommended below. We strongly suggest you contact our sales staff when considering use of any of the products in any other way than the recommended applications or for a specific use that requires an extremely high reliability.
  - (1) Applications that require consultation:
    - (i) Please contact us if you are considering use involving a quality assurance program that you specify or that is peculiar to the industry, such as:  
Automotive electrical components, train control, telecommunications devices (mainline), traffic light control, electric power, combustion control, fire prevention or security systems, disaster prevention equipment, etc.
    - (ii) We may separately give you our support with a quality assurance program that you specify, when you think of a use such as:  
Aviation or space equipment, submarine repeaters, nuclear power control systems, medical equipment for life support, etc.
  - (2) Recommended applications include:  
Computers, office appliances, telecommunications devices (terminals, mobile units), measuring equipment, audiovisual equipment, home electric appliances, factory automation equipment, etc

**Japan Aviation Electronics Industry, Limited**

Product Marketing Division  
Aobadai Building, 3-1-19, Aobadai, Meguro-ku, Tokyo 153-8539  
Phone: +81-3-3780-2882 FAX: +81-3-3780-2946

\* The specifications in this brochure are subject to change without notice. Please contact JAE for information.