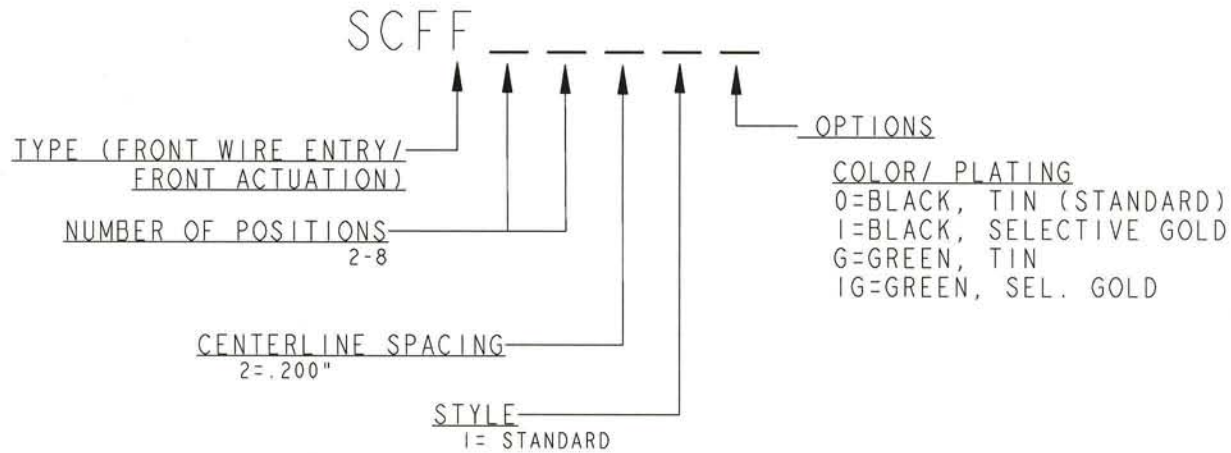


REV	ECN	APP'D
-	4503	10 10/31/01
A	5742	PN 12/28/05

## SCFF SERIES PART NUMBERING SCHEME



**RATINGS**

CURRENT - 15 A  
VOLTAGE - 300V  
U.L. FILE NO. PENDING



**RATINGS**

CURRENT - 15 A  
VOLTAGE - 300 V  
CSA FILE NO. PENDING

DIN VDE 0627:1986  
DIN VDE 0110-1:1989  
EN 60947-1:1991  
EN 60947-7-1:1992

CURRENT -15 A  
VOLTAGE - 300 V  
TUV FILE NO. PENDING

CONSULT PCD FOR PART NO. AND AVAILABILITY OF FOLLOWING OPTIONS:  
\*CUSTOM COLORS \*CUSTOM KEYING  
\*CUSTOM MARKING \*SELECTIVE CONTACT LOADING  
\*NUMBER OF POSITIONS 9-24

**INSTALLATION RECOMMENDATIONS:**

WIRE RANGE: AWG #12-28, STRANDED OR SOLID,  
WIRE STRIP LENGTH: .250" (6,35mm)

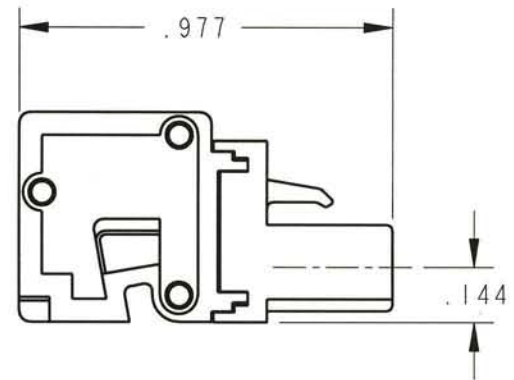
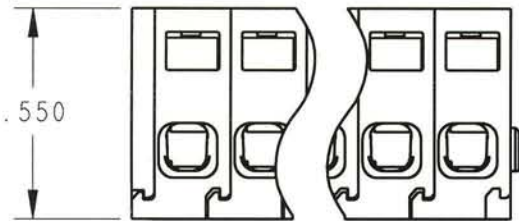
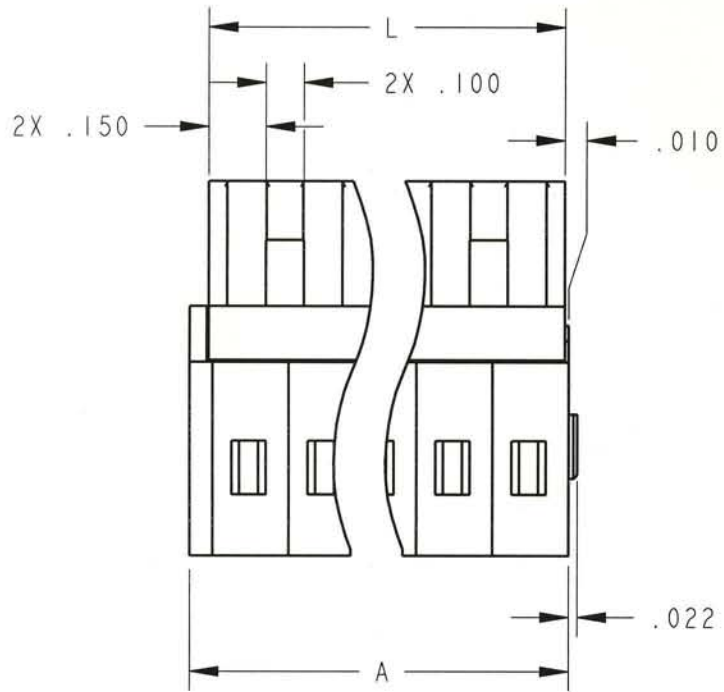
**MATERIALS:**

HOUSING: PPO, UL 94 V-0  
CONTACT: PHOSPHOR BRONZE, TIN FINISH  
SPRING CLAMP: STAINLESS STEEL

MAX OPERATING TEMP: 105°C

<b>DIMENSIONS</b> ANSI Y14.5M UNITS: INCHES Pro/E FILE	<b>TOLERANCES</b> .XX ±0.01 .XXX ±0.005 ANGLES ±2.0°	<b>PROJECTION</b> 	<h1>Amphenol Pcd</h1>		<b>TITLE</b> <h1>SCF SERIES PLUGGABLE TERMINAL BLOCK</h1>		
			<b>ENGR</b> C. LUSHUA 7/17/01				
<b>ORIGINAL STAMPED IN RED</b>	<i>THIS DOCUMENT CONTAINS PROPRIETARY INFORMATION WHICH IS THE CONFIDENTIAL PROPERTY OF AMPHENOL PCD, INC. PEABODY, MA, USA</i>		<b>CHKD</b> A. PATRIE 10/30/01	<b>SIZE</b> A	<b>DWG NO.</b> SCFF02210	<b>REV</b> A	
			<b>APPD</b> I. QUINN 10/31/01	<b>CODE:</b> 58982		<b>SCALE:</b> NONE	<b>SHEET</b> 1 OF 2

L=NUM OF POS X CL SPACING  
 A=NUM OF POS X CL SPACING+.060



SIZE	DWG NO.	REV
A	SCFF02210	A
CODE: 58982	SCALE: NONE	SHEET 2 OF 2